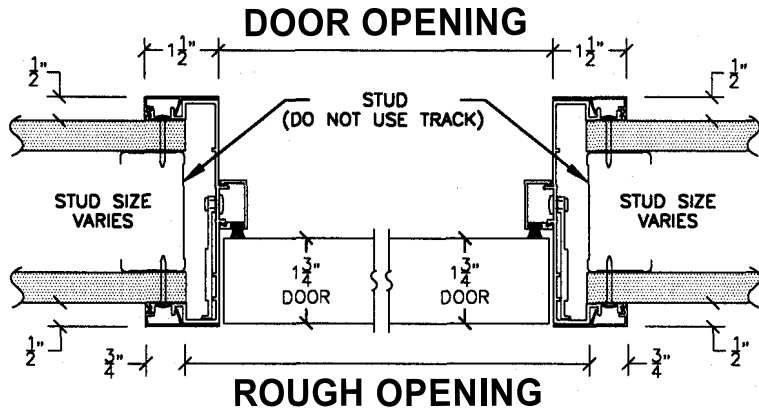


# EAGLE INTERIOR DOOR FRAMES

DATA SHEET



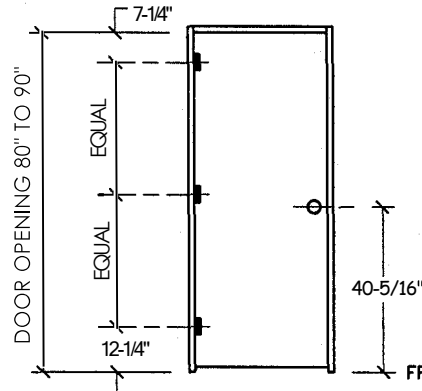
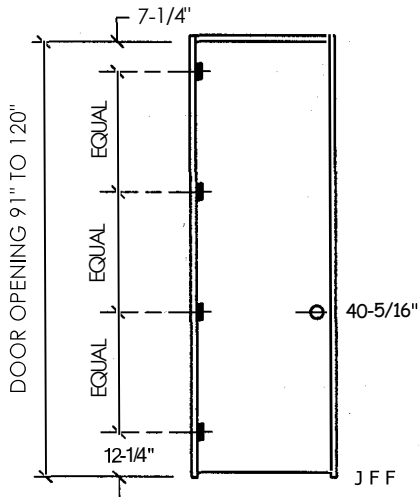
**AVAILABLE THROAT SIZES:**

3-1/2"

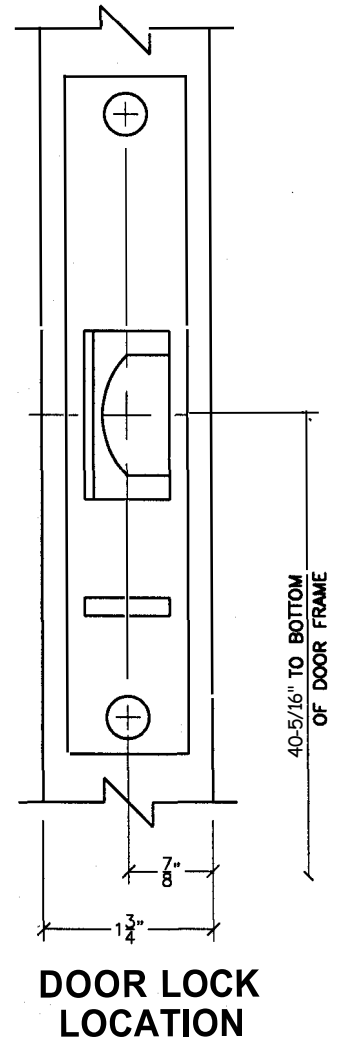
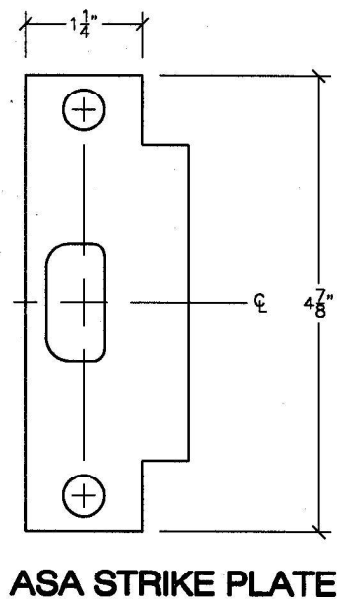
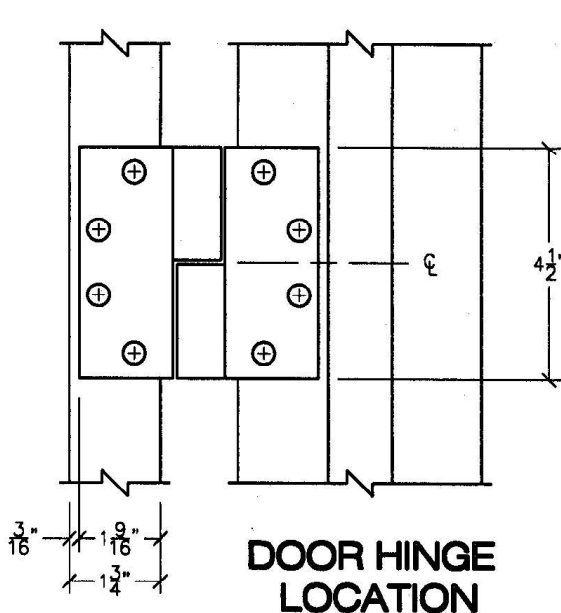
TO

14-1/2"

AVAILABLE IN 1/8" INCREMENTS



## DIMENSIONS FOR HINGES AND STRIKES



**EAGLE**  
BY AVALON INTERNATIONAL ALUMINUM

NOTE

For Details on CAD Disk and Details Not Shown, Please Call 800-678-0566