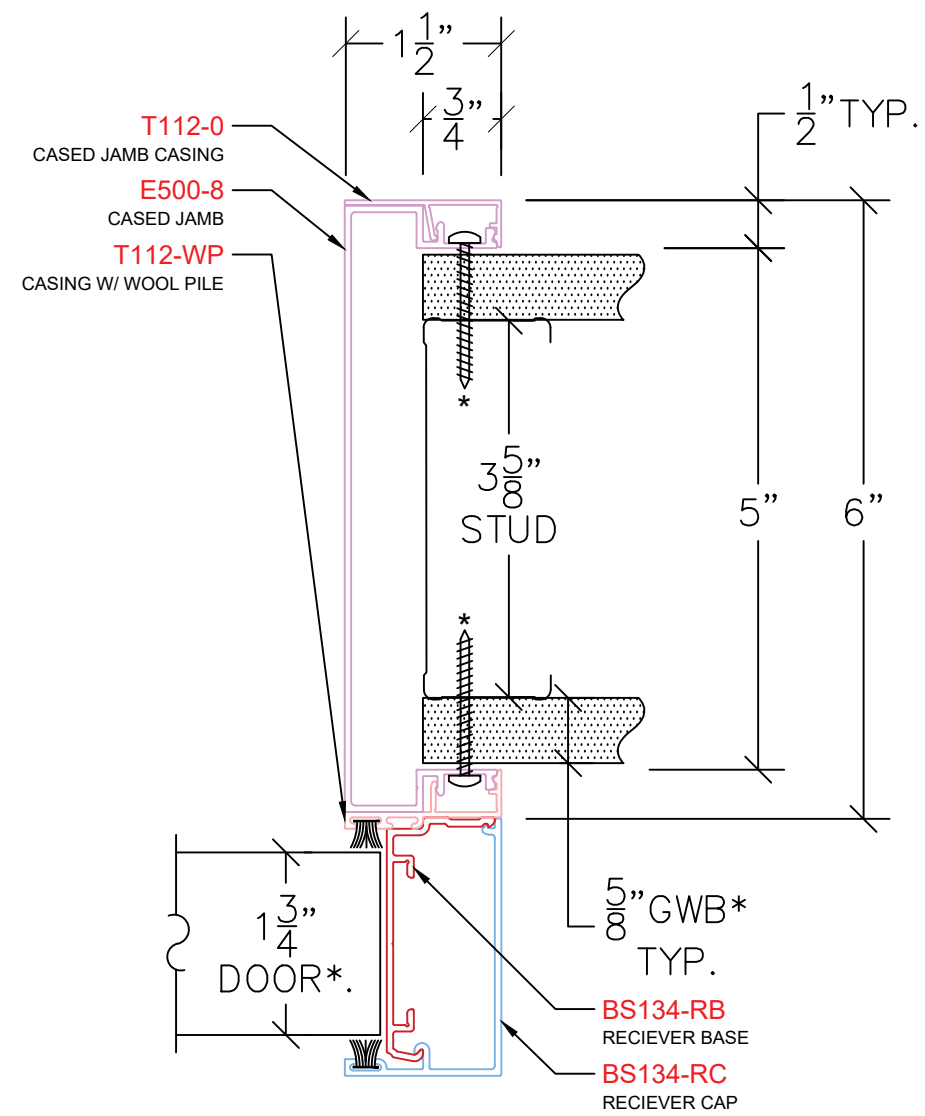


AVALON EAGLE – BARN 500

BS140R – CASED JAMB RECEIVER
PROFILE: 1½" TRIM



P: (503)885-9494
W: AVALONINT.COM